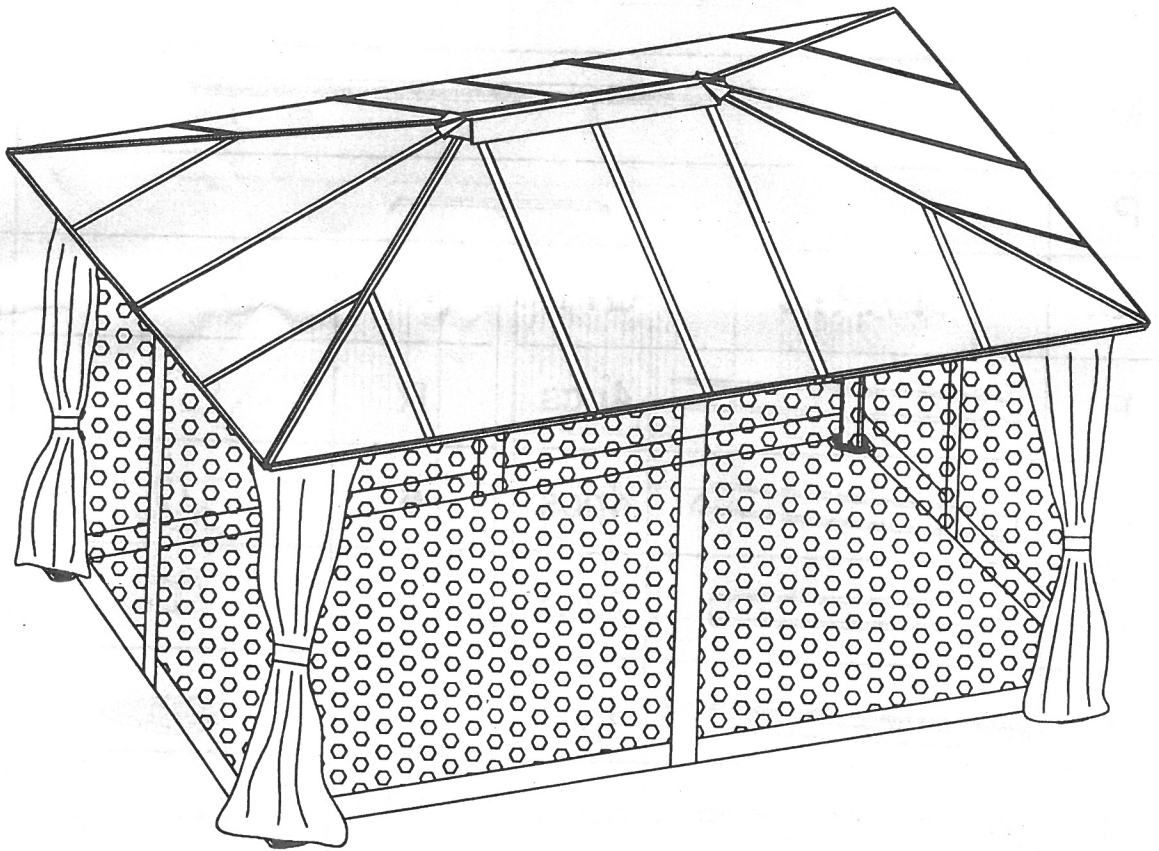
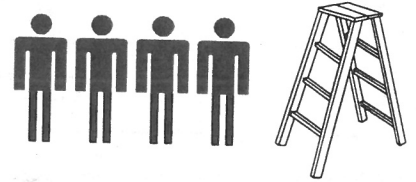

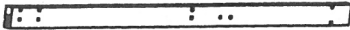
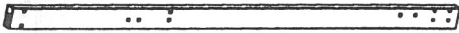
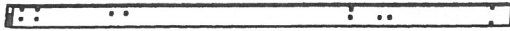


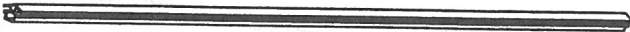

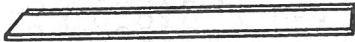










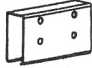

















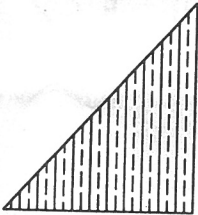
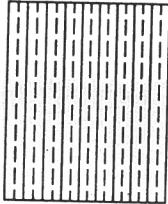
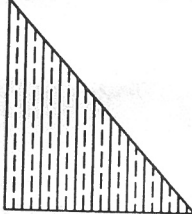
Mont. anu. i lada A

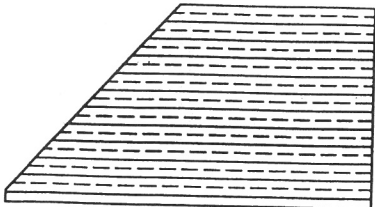
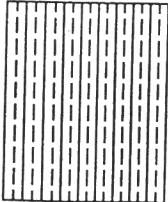
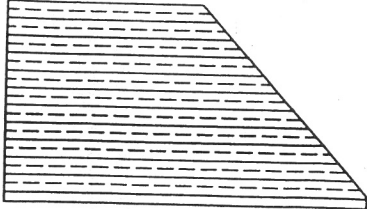


NO.	PARTS	QTY
A		4pcs
B		2pcs
C		2pcs
D		2pcs
E		2pcs
L		6pcs
M		4pcs
P		4pcs

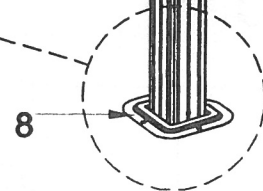
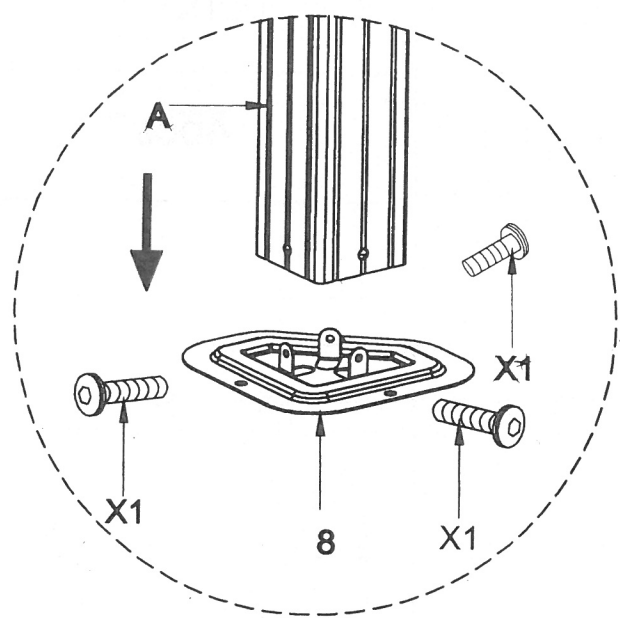
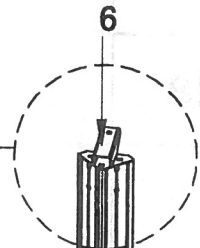
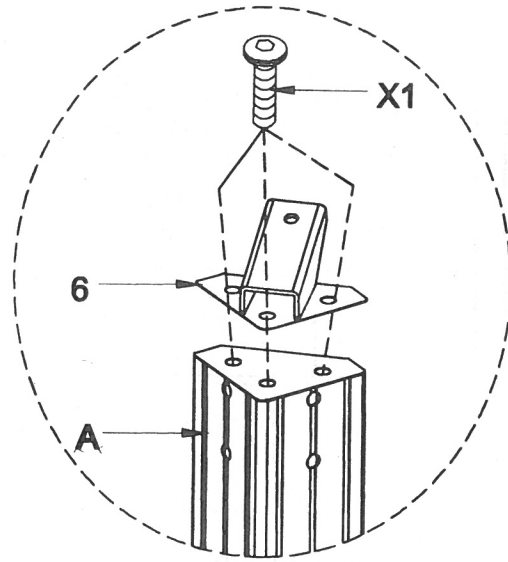
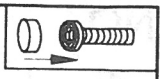
NO.	PARTS	QTY	NO.	PARTS	QTY
F		4pcs	R		4pcs
G		4pcs	6		4pcs
H		2pcs	7		4pcs
I		4pcs	8		4pcs
J		4pcs	10		4pcs
K		2pcs	11		4pcs
N		4pcs	12		6pcs
O		4pcs	13		1pc
Q		6pcs	14		1pc

NO.	PARTS	QTY	NO.	PARTS	QTY
15		4pcs	20		181pcs
16		4pcs	21		4pcs
17		84pcs	X1	 M6*15	165pcs
18		12pcs	X2	 M6*40	16pcs
19		1pc			

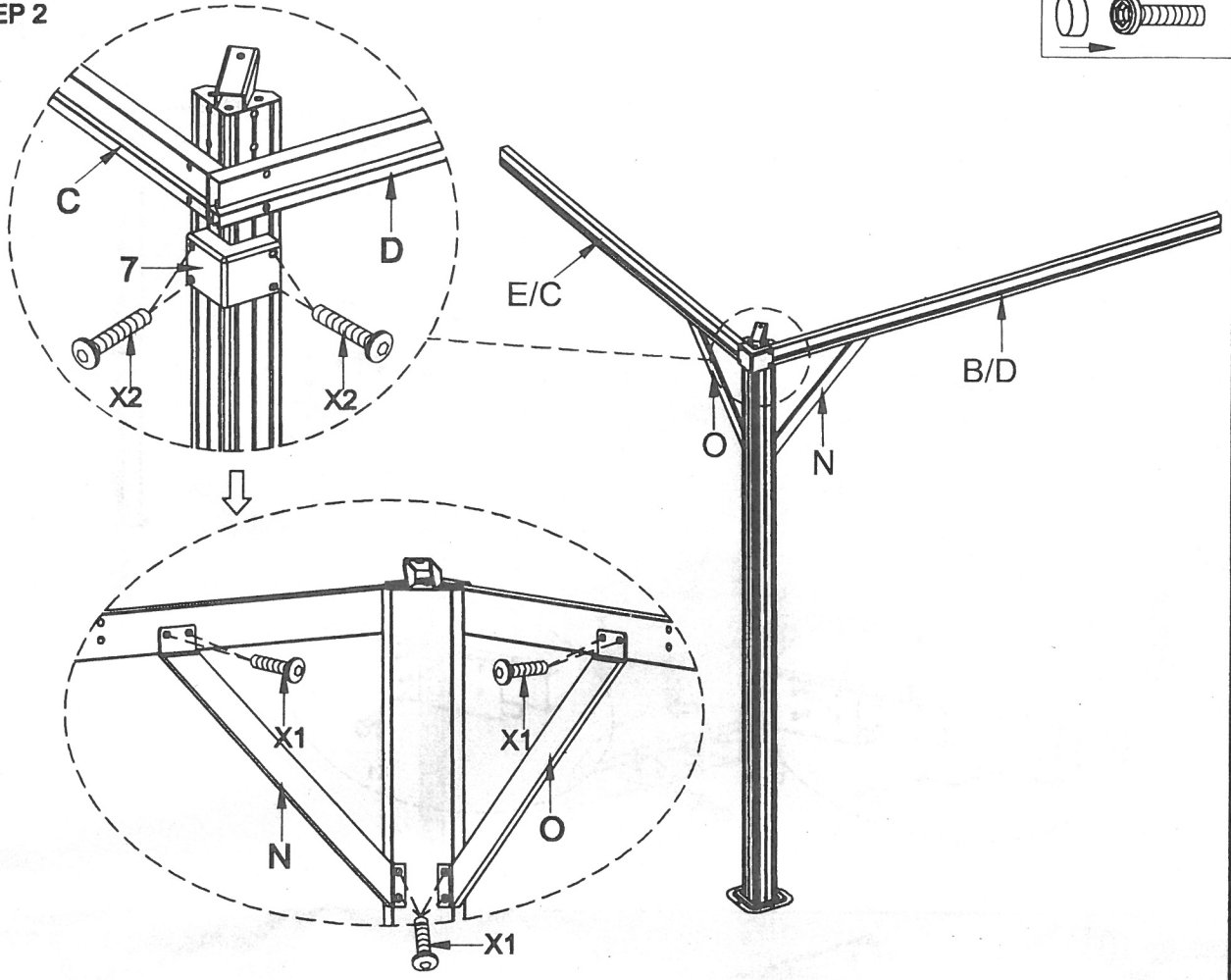
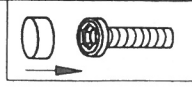
NO.	1	3	4
PARTS			
QTY	4pcs	2pcs	4pcs

NO.	2	3	5
PARTS			
QTY	4pcs	2pcs	4pcs

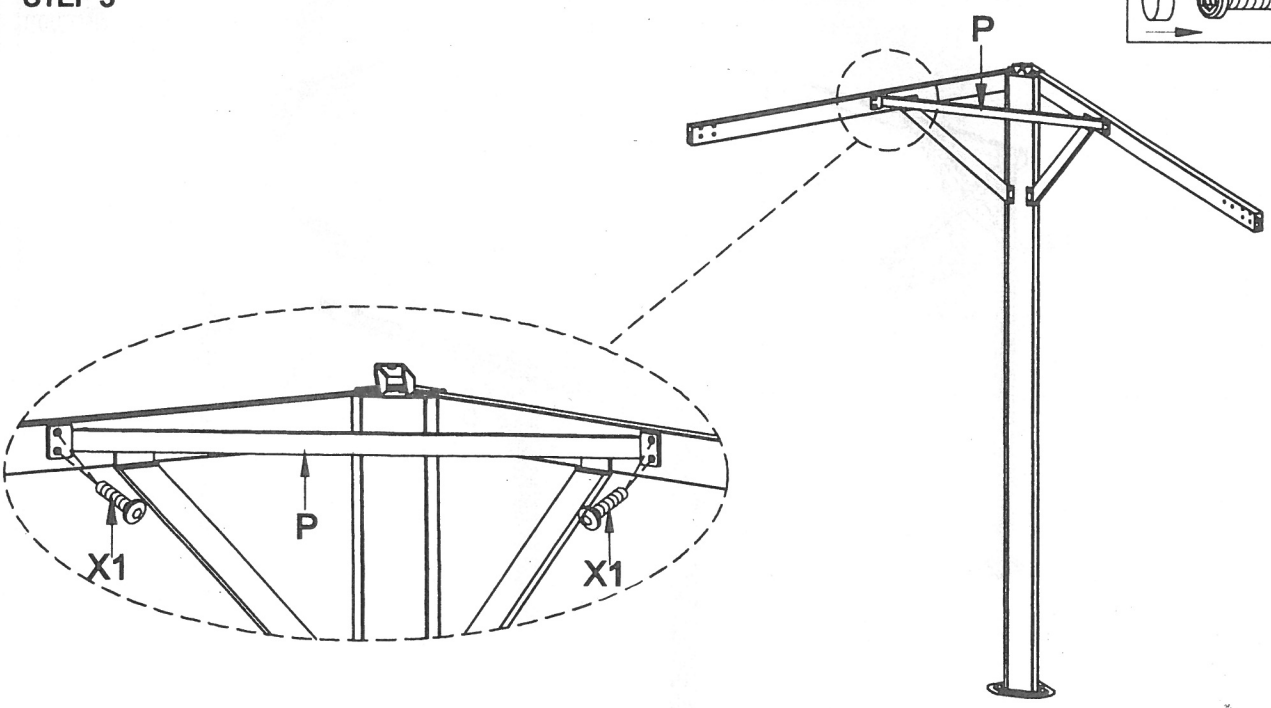
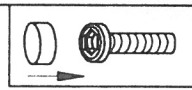
STEP 1



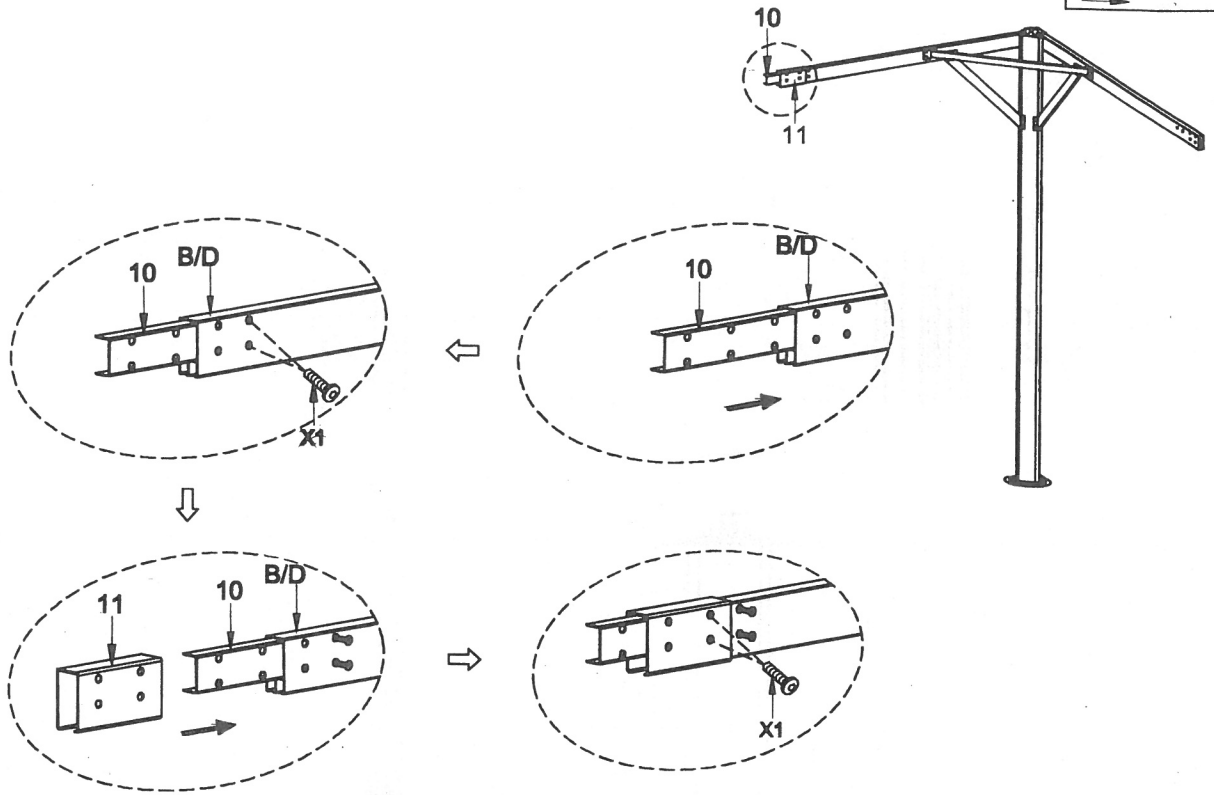
STEP 2



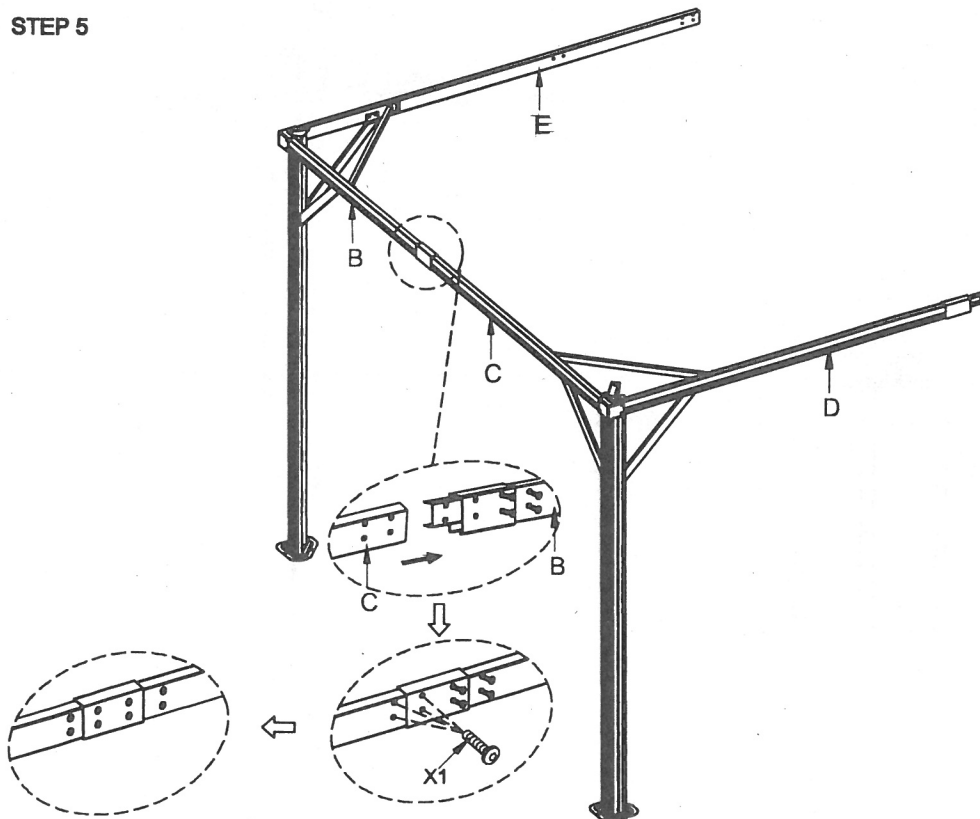
STEP 3



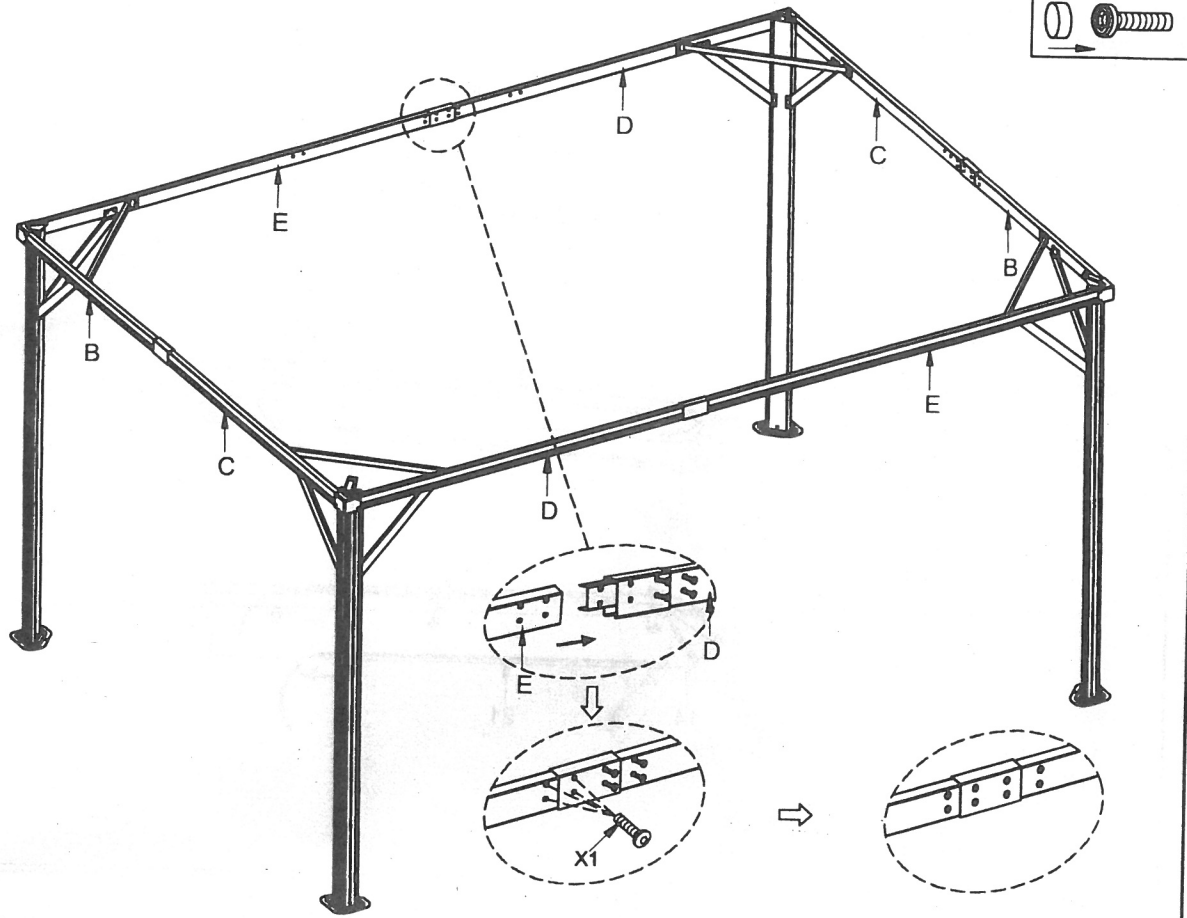
STEP 4



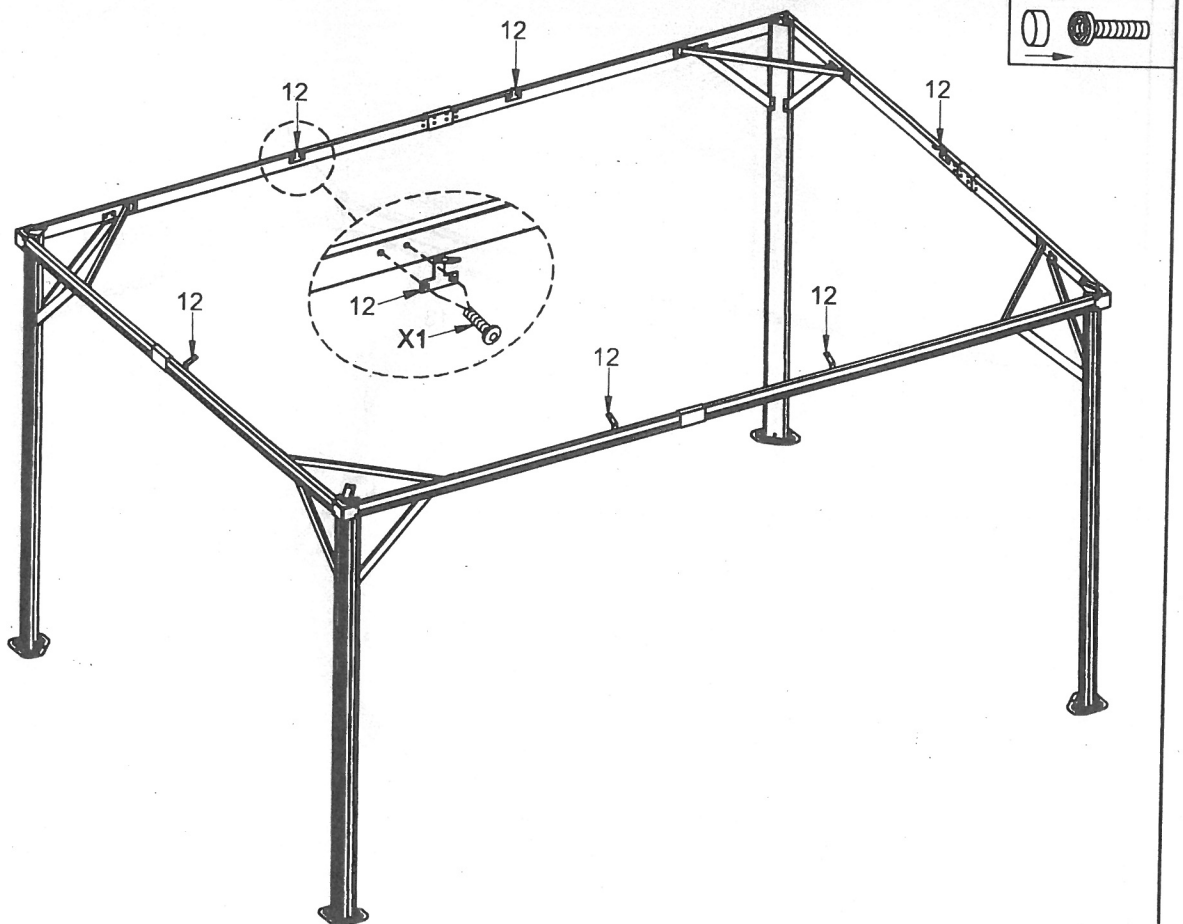
STEP 5



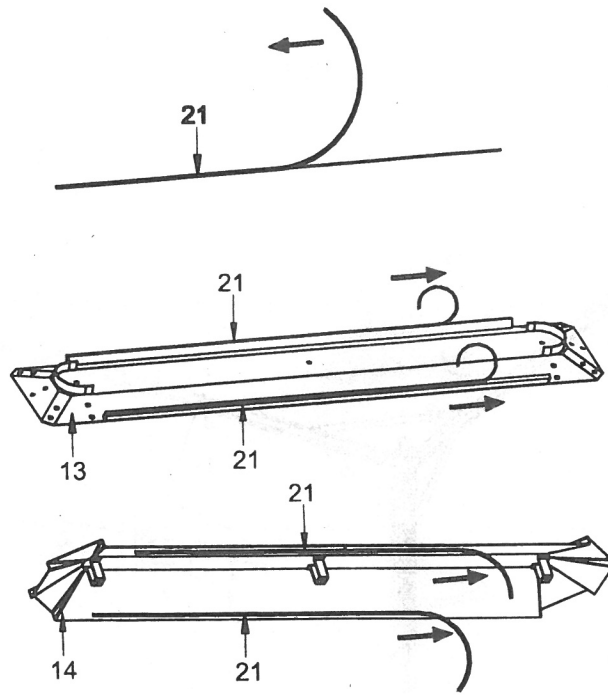
STEP 6



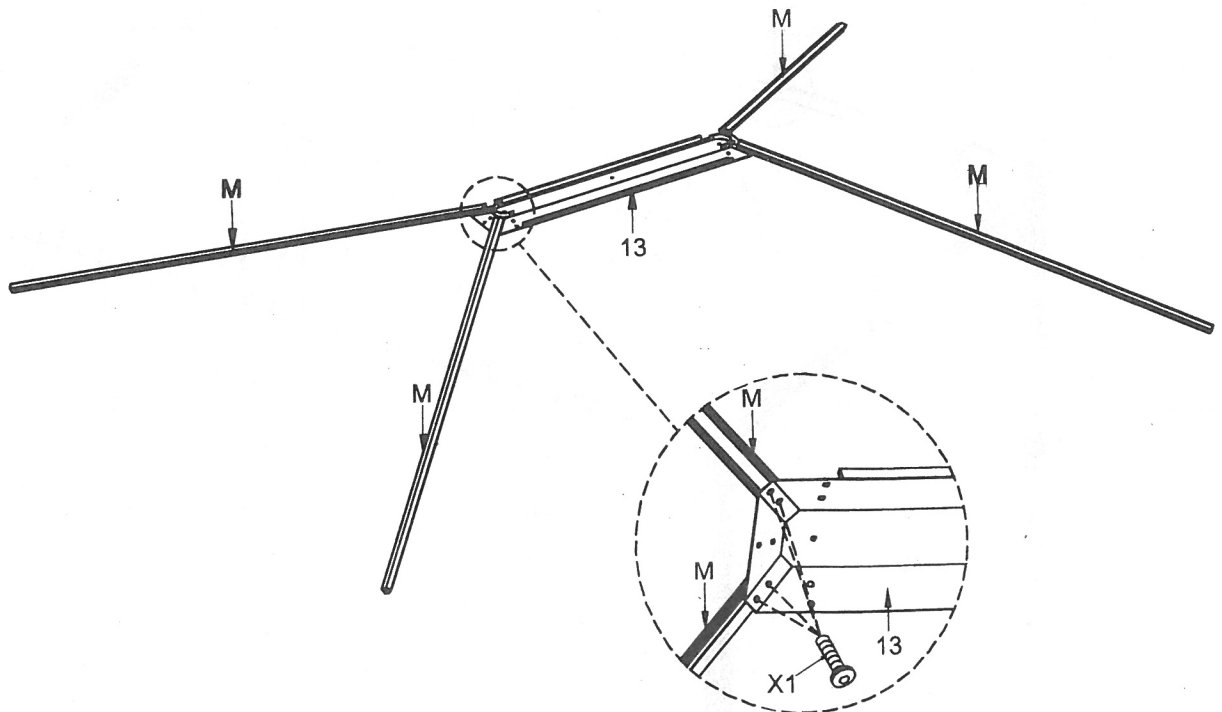
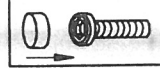
STEP 7



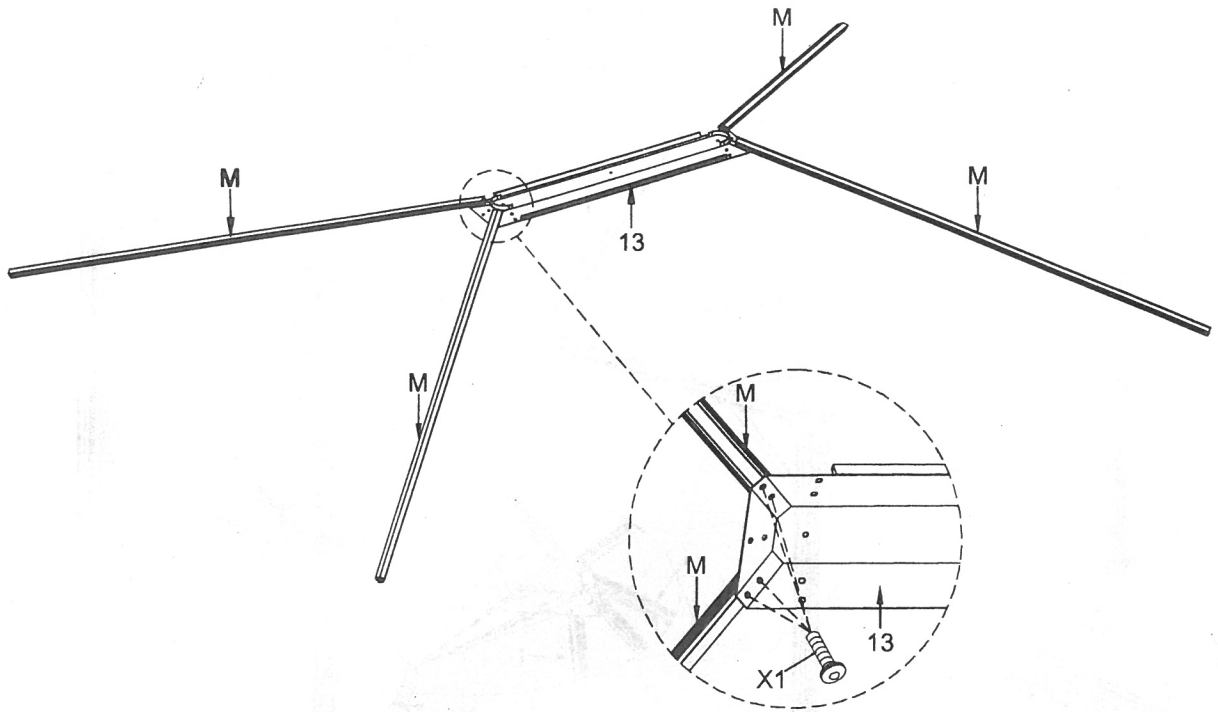
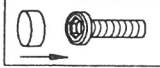
STEP 8



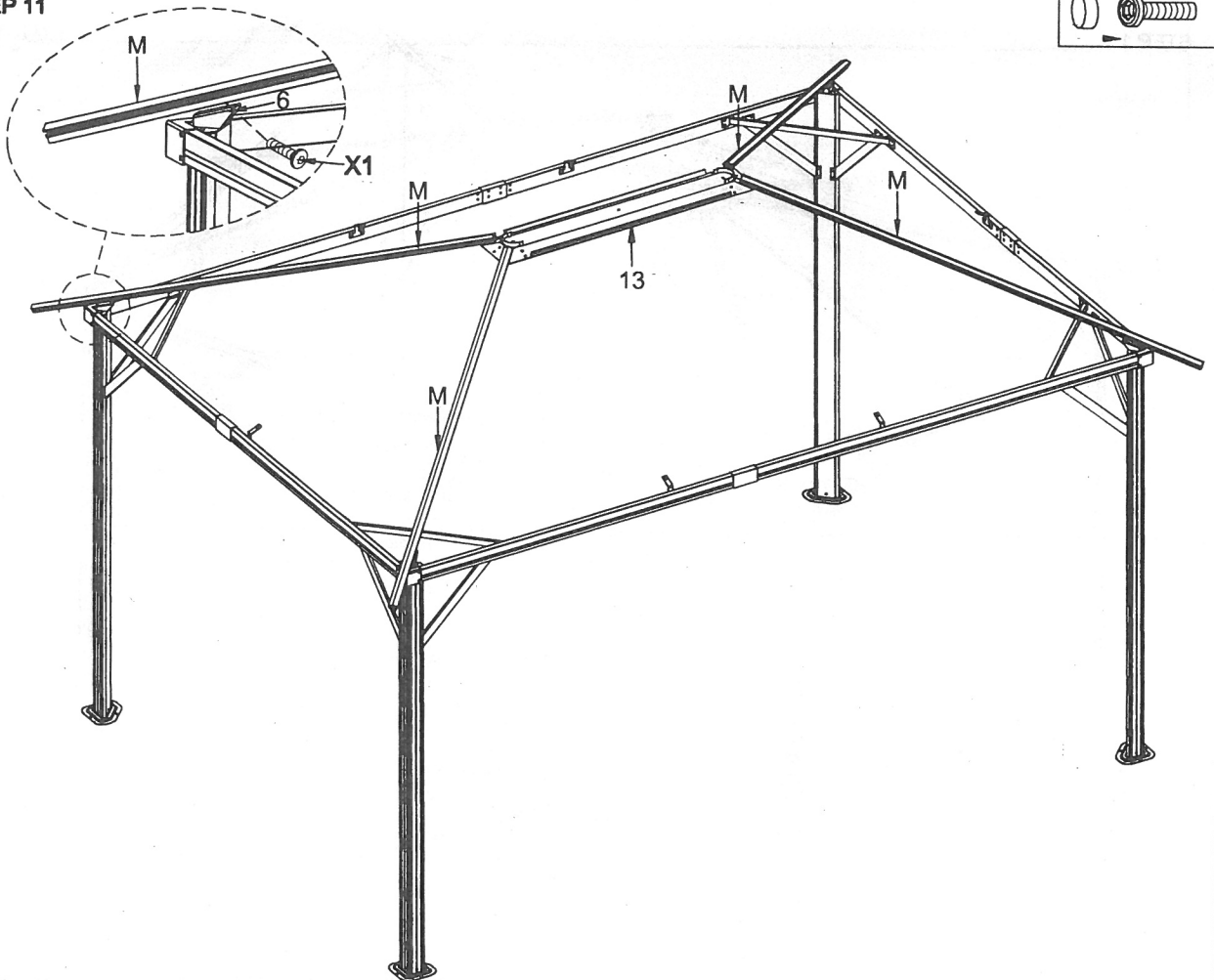
STEP 9



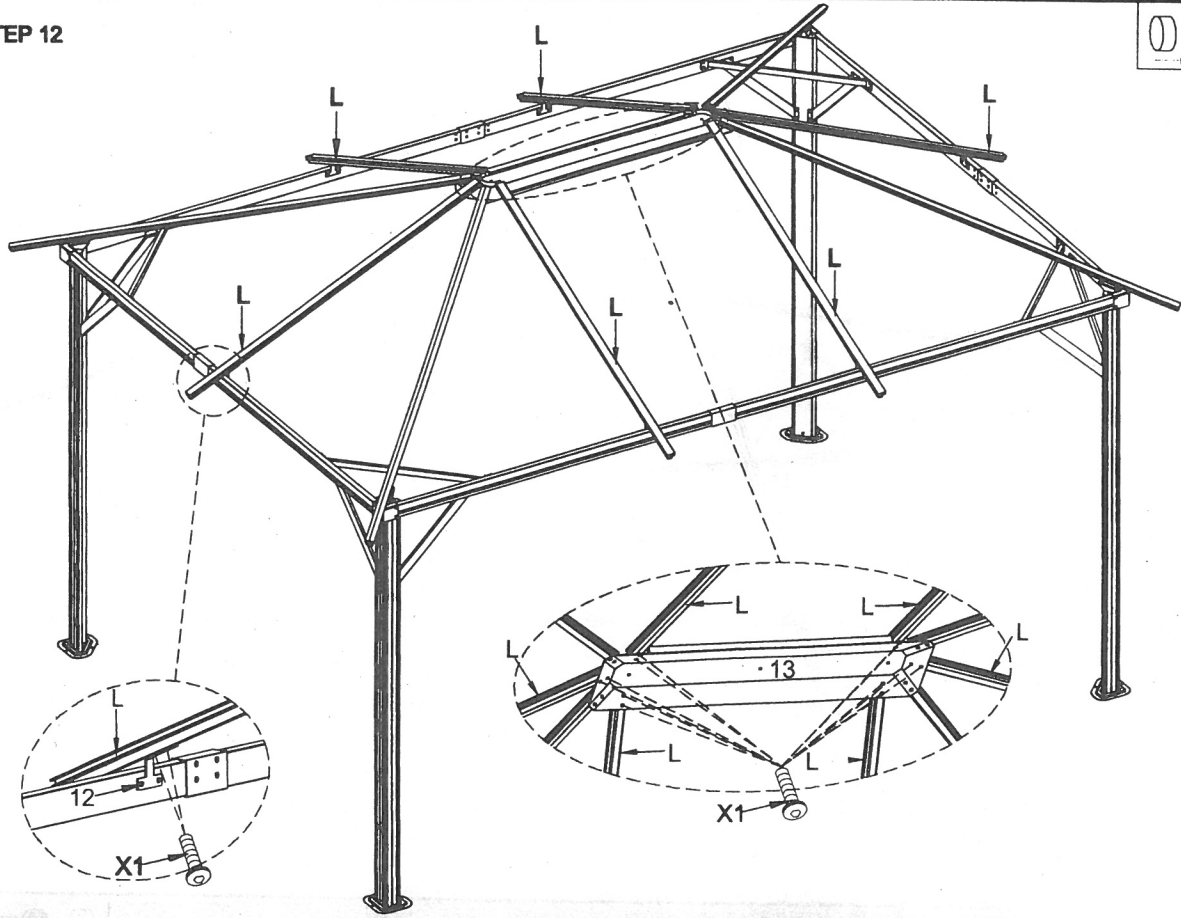
STEP 10



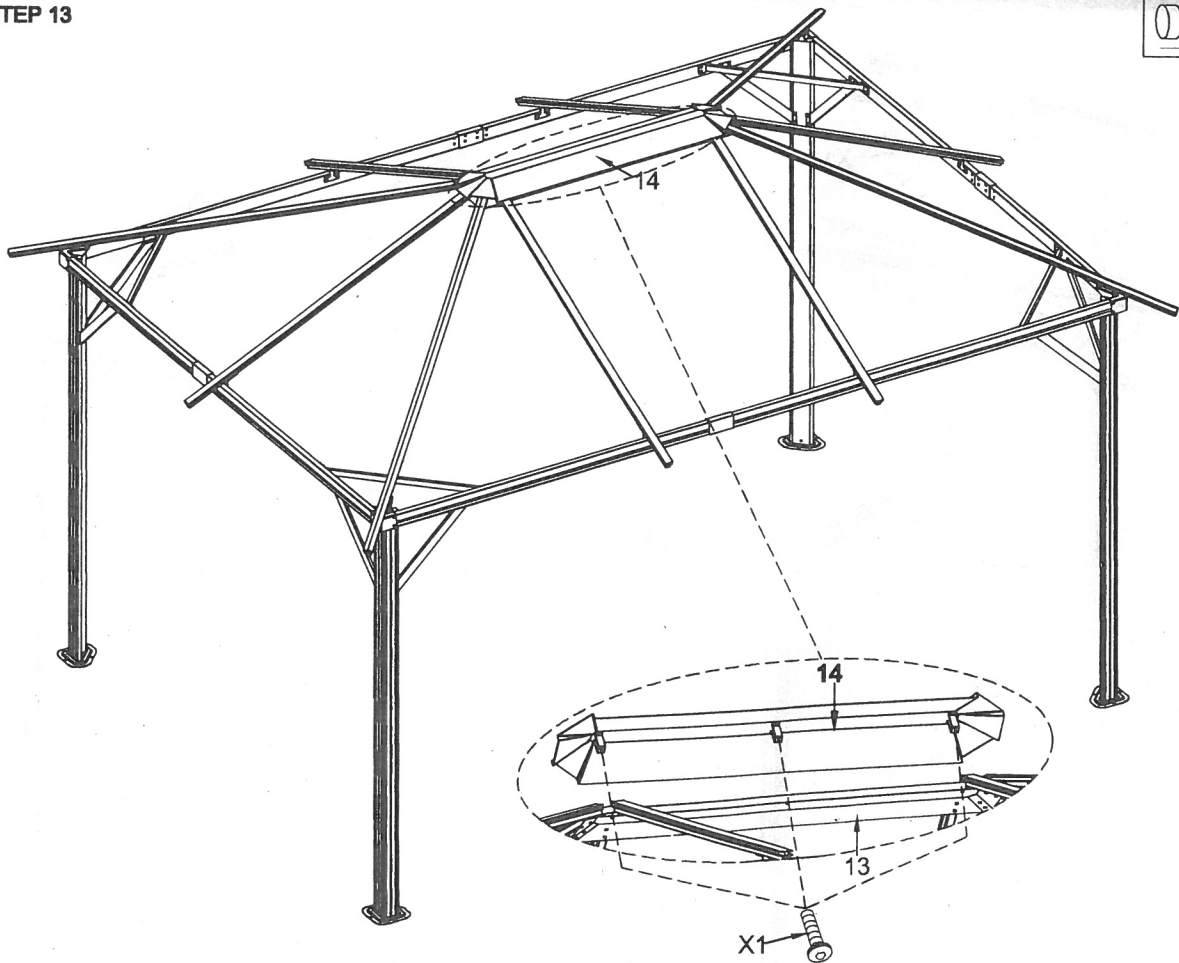
STEP 11



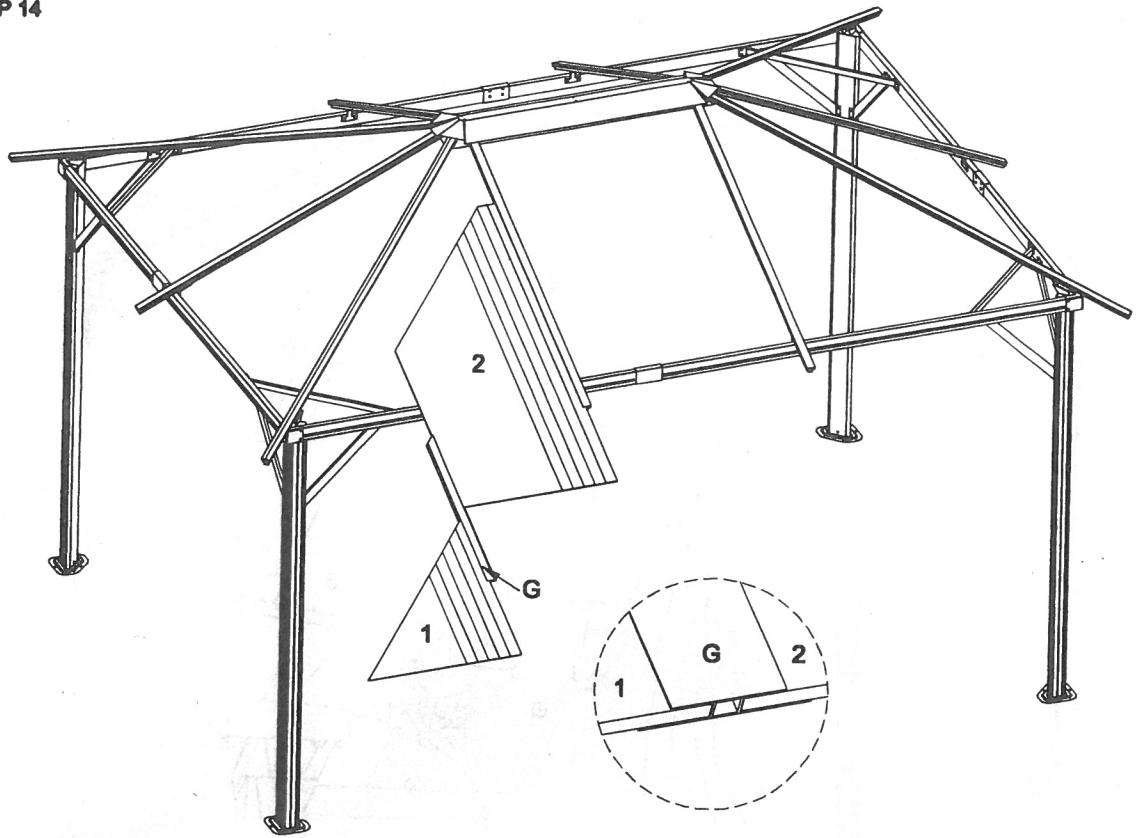
STEP 12



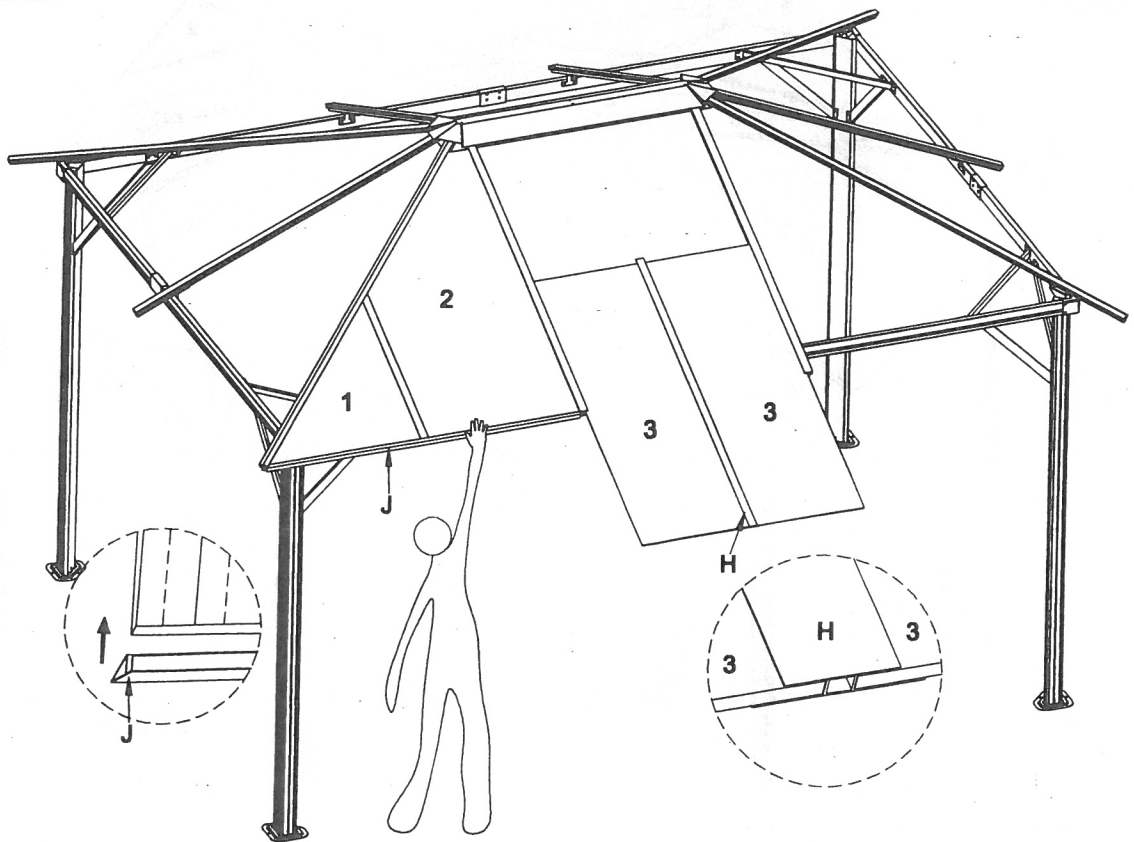
STEP 13



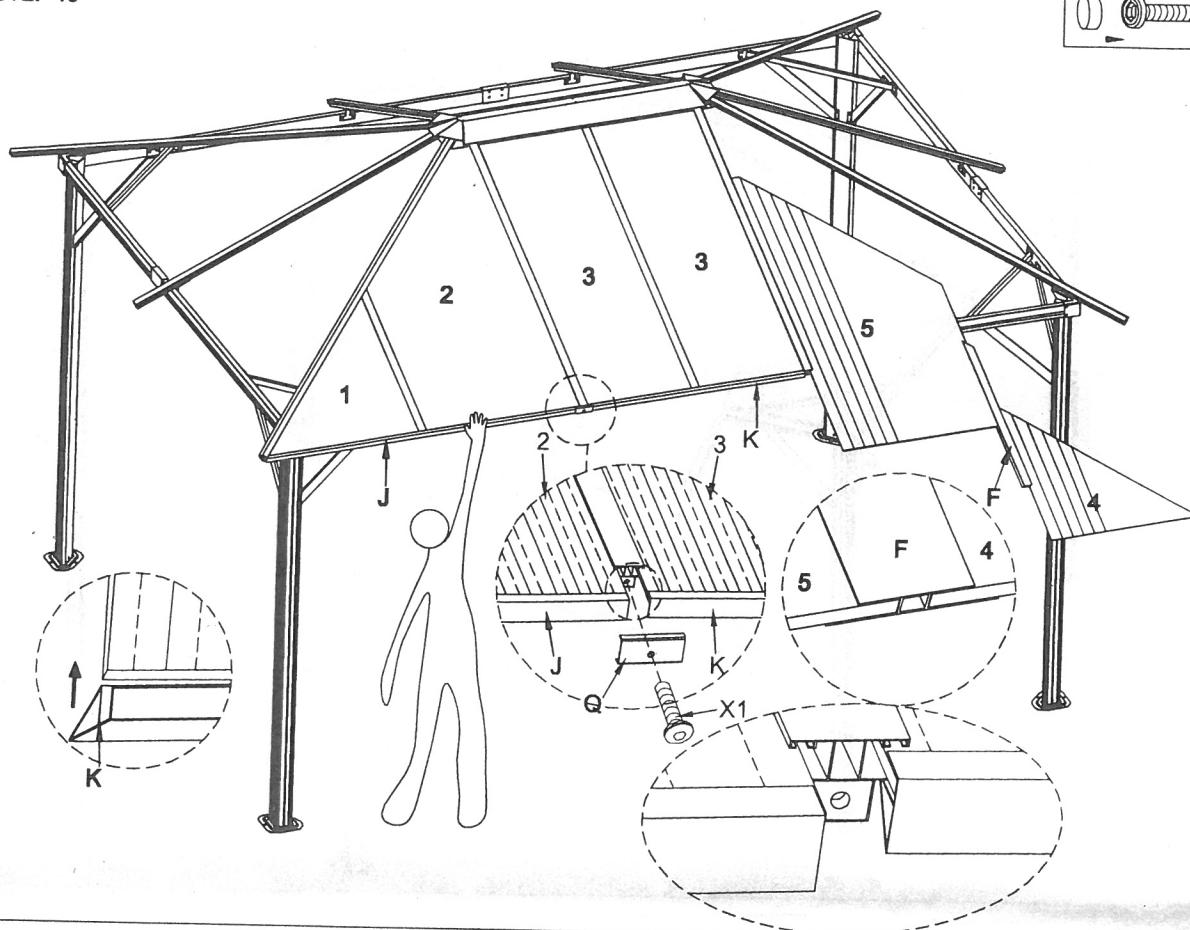
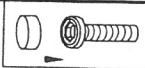
STEP 14



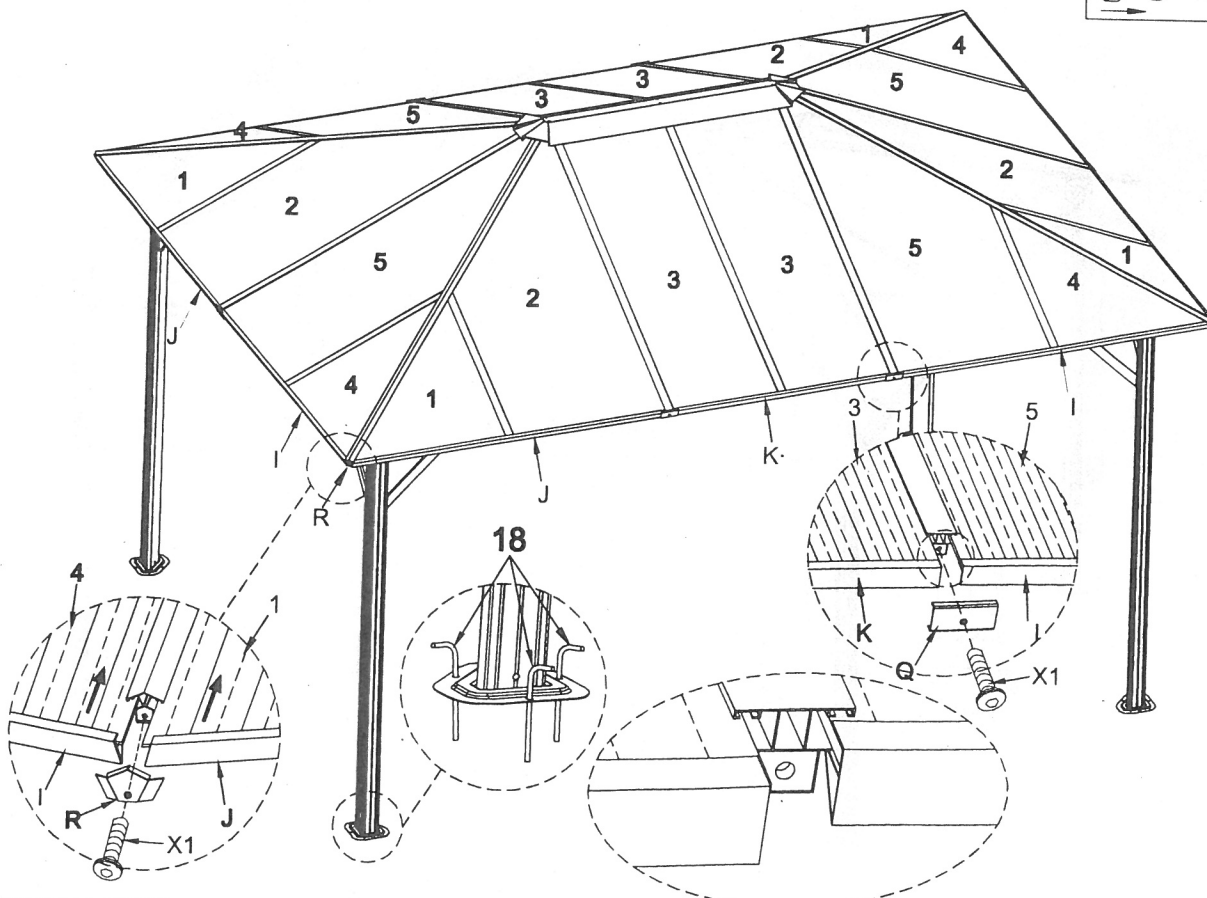
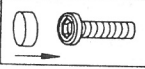
STEP 15



STEP 16



STEP 17



STEP 18

