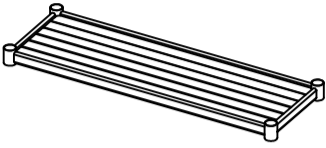
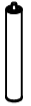
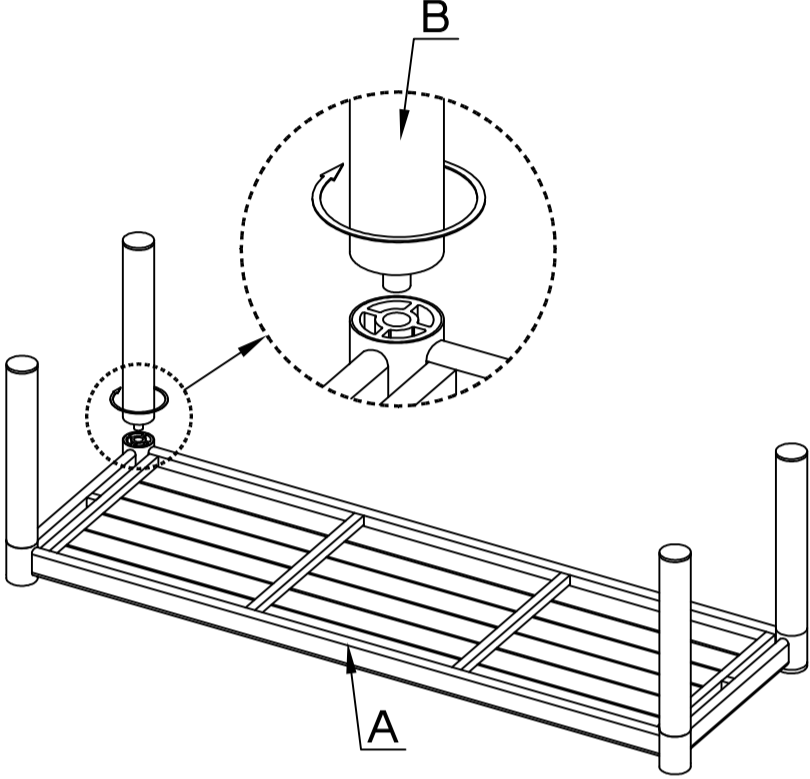


Assembly instruction

A		1
B		4

①



②

